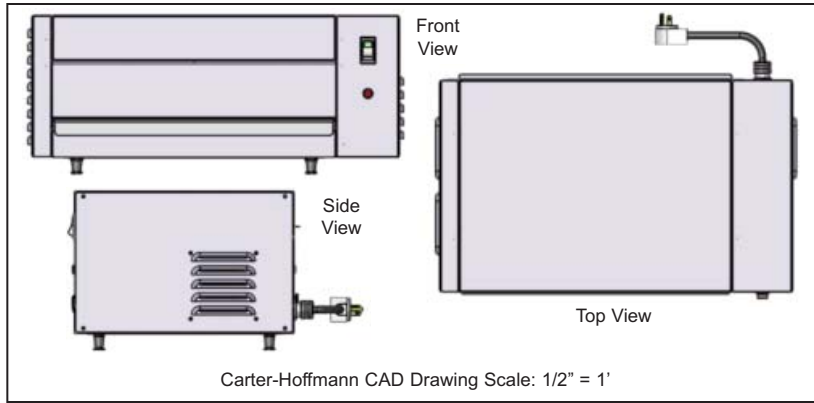




HEAT-XPRESS FINISHING CABINET Model CGM24

CARTER-HOFFMANN
11
FOOD SERVICE EQUIPMENT
HEATED CABINETS



| Model Number | Finishing Cavity Dimensions | Electrical Specifications | | | Overall Dimensions | | | | | | Shipping Weight | |
|--------------------------------|--|---------------------------|------|-------|--------------------|-------|--------------------------------|--------|----------------------------------|-------|--------------------------------|------|
| | | | | | volts | watts | Amps | Height | | Depth | | |
| | | in | mm | in | | | | mm | in | mm | lbs | kg |
| <input type="checkbox"/> CGM24 | 14"D x 18"W x 3 ³ / ₈ "H | 208 | 2280 | 10.96 | 10 | 254 | 14 ³ / ₈ | 365 | 23 ¹³ / ₁₆ | 605 | 33 ¹ / ₂ | 15.2 |

CONSTRUCTION...All stainless steel double wall cabinet construction.

CABINET MATERIAL...All stainless steel; with polished exterior.

LEGS... Four adjustable legs mounted to base of cabinet.

CAPACITY... 14"D x 18"W x 3.61"H finishing cavity with opening on both sides for dual access.

CONTROLS... On/Off rocker switch on operator's side; green illumination when on. Red power indicating lights front and back of unit; illuminate when food is placed in finishing chamber and 100% power is activated. 100% power activated when product is placed in chamber.

HEATING SYSTEM... Infrared quartz elements protected by guard cage. Idle energy usage at 50% of total power for energy savings. Placement of product inside the finishing chamber boosts power to 100%; red power lights illuminate when activated. Components cooled by fan.

ELECTRICAL CHARACTERISTICS... Operates on 208 volts, 60 cycle, 2280 watts, 10.96 amps. Six foot 3 wire rubber cord with 3 prong grounding plug. NEMA 6-20P.

PERFORMANCE... Capable of heating to 400°F (204°C). Heats to 375°F (190°C) in 45 seconds. No pre-heat needed.

OPTIONS & ACCESSORIES

240 volts, 2280 watts, 9.5 amps (CE version; specify model number CGM24-240)

SPECIFICATIONS

Specifications subject to change through product improvement & innovation.

CARTER-HOFFMANN

1551 McCormick Ave., Mundelein, IL 60060
(847) 362-5500 • (800) 323-9793 • Fax (847) 367-8981
www.carter-hoffmann.com



Printed in U.S.A. N20 0818
Carter-Hoffmann is a trademark
of Carter-Hoffmann, LLC

FEATURES & BENEFITS

1551 McCormick Avenue, Mundelein, Illinois 60060
Tel. (847)362-5500 • (800)323-9793 • Fax (847)367-8981
www.carter-hoffmann.com



HEAT-XPRESS FINISHING CABINET

Since 1947, Foodservice Equipment That Delivers!

FINISHING CHAMBER... Heats instantly for fast finishing of entrees and appetizers. Size will accommodate most standard plates and platters.

INFRARED QUARTZ HEATER... Generates intense heat almost instantly. Emits nearly pure radiant heat with less energy waste than halogen elements. Idle energy usage at 50%. Activated to 100% when product is placed in the finishing chamber.

LIGHTWEIGHT SPACE-SAVING DESIGN... Small footprint takes up minimal counter space.



Cabinet Front



Cabinet Rear

PASS-THROUGH... The Heat-Xpress finishing cabinet is equipped with a field-removable rear panel to convert the operation of the unit to dual-sided, pass-through access.

ALL STAINLESS STEEL CABINET WITH NO MOVING PARTS... For durability and easy cleaning.

HEAT-XPRESS BENEFITS...

Improve food appearance and temperature is improved in an instant. Perfect for adding the final touch to entrees, appetizers and other dishes.

